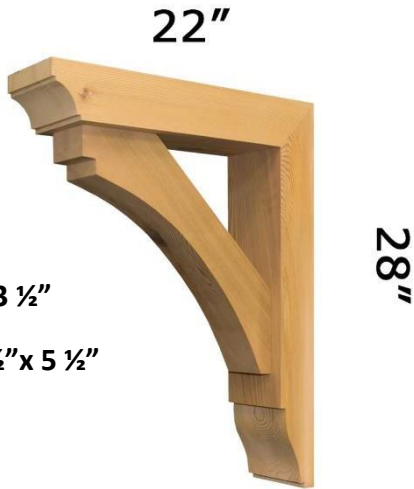




CEDAR ARCHITECTURAL PRODUCTS

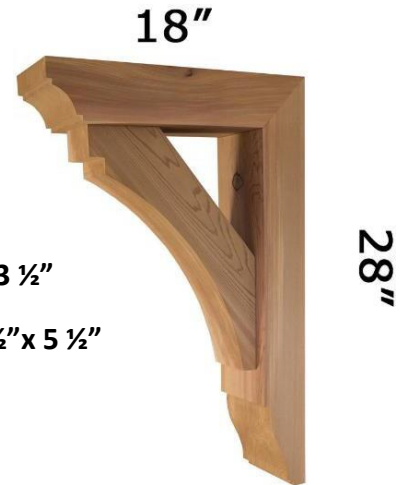
Bracket 02T4

Projection: 22"
High: 28"
Thickness: 5 1/2"
Brace Thickness: 3 1/2"
Bracket Body: 3 1/2" x 5 1/2"
 02T4S: SMOOTH



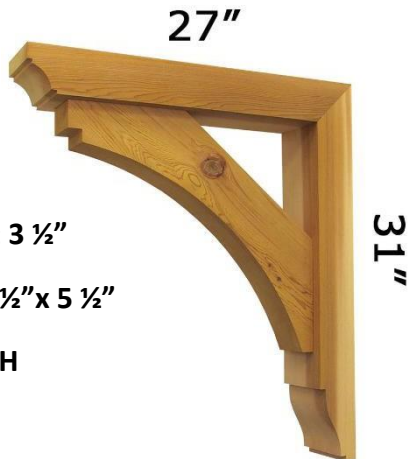
Bracket 02T7

Projection: 18"
High: 28"
Thickness: 5 1/2"
Brace Thickness: 3 1/2"
Bracket Body: 3 1/2" x 5 1/2"
 02T7S: SMOOTH



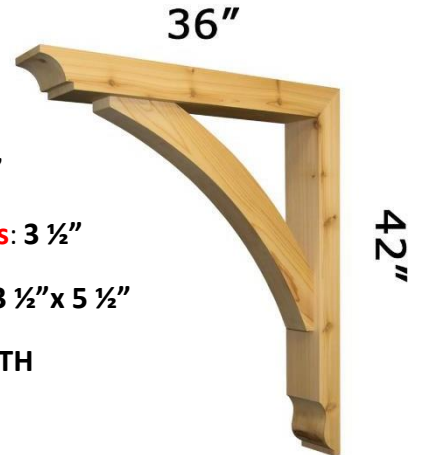
Bracket 10T4

Projection: 27"
High: 31"
Thickness: 5 1/2"
Brace Thickness: 3 1/2"
Bracket Body: 3 1/2" x 5 1/2"
 02T27S: SMOOTH



Bracket 10T11

Projection: 36"
High: 42"
Thickness: 5 1/2"
Brace Thickness: 3 1/2"
Bracket Body: 3 1/2" x 5 1/2"
 10T11S: SMOOTH



Corbel 28T8

Projection: 7 3/4"
High: 10"
Finish & Thickness
28T8S3: SMOOTH 3 1/2"
28T8R4: ROUGH 4"



Corbel 29T5

Projection: 9 3/4"
High: 12"
Finish & Thickness
29T5S3: SMOOTH 3 1/2"
29T5R4: ROUGH 4"



Brace 67TD12

Projection: 20"

High: 20"

Finish & Thickness

67TD12S3: SMOOTH 3 ½"

67TD12R4: ROUGH 4"

67TD12S5: SMOOTH 5 ½"

67TD12R6: ROUGH 6"



Brace 67TD11

Projection: 16"

High: 16"

Finish & Thickness

67TD11S3: SMOOTH 3 ½"

67TD11R4: ROUGH 4"



4955 BUFORD HIGHWAY, PEACHTREE CORNERS GA 30071

770-448-2128

MONDAY – FRIDAY 8AM – 4PM